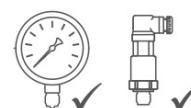


CONSTRUCTIVE PROPERTIES

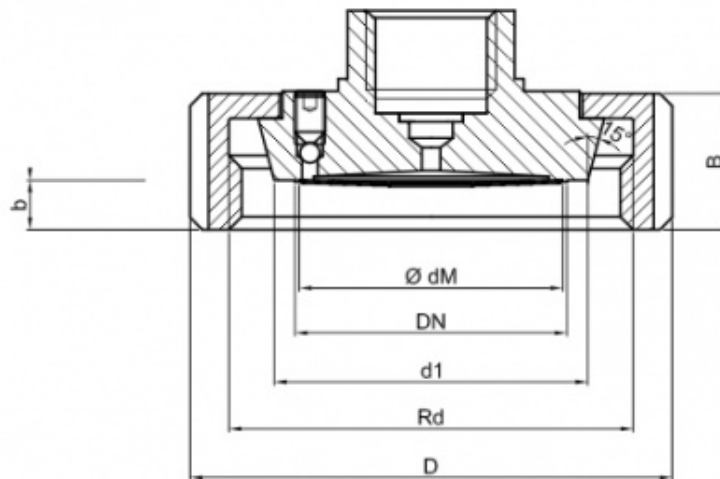
	STANDARD	OPTIONAL
Scale Unit	bar	
Scale Range (PN)	0/2,5 0/4 0/6 0/10 0/16 0/25 0/40	
Upper Body Material	AISI-316L	Hastelloy C276
Material of Membrane	AISI-316L	Hastelloy C276
Flanged-Process Connection Material	AISI-316L	-
Instrument Connection	G 1/2"	-
Assembling	Direct Connection	Capillary Clamp (Max. 4 m.) Cooling Tower Capillary with SS armour covered (Max. 4 m.)
Process Connection	Nut / Clamp Connections	-
Filling Liquid	FDA Approved Oil	Neobee
Sealing	Viton	PTFE
Accuracy Class % (Will be added to instrument accuracy)	±0,5% Direct Mounting	±1% Capillary Mounting



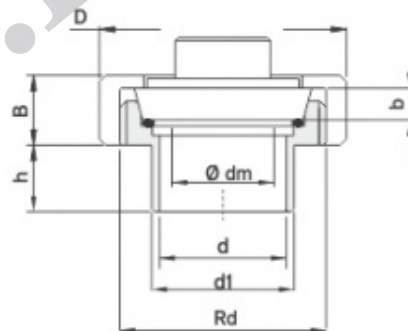
DS0564
Nut / Clamp Connections

USAGE PROPERTIES

Storage Temperature	-40 ... +70 °C	-
Process Temperature	-45/+150°C	-
Leakage Test	Helium Sniffer Leakage Test	
Conformity	3-A NACE MR 1075 Oxygen Service DIN ANSI EHDG	



Conical nut connections PN 40 bar								
DN	PN	$\varnothing dm$	$d1$	D	b	B	Rd	Model #
25	40	28	39	63	8	21	52x1/6"	DS 0564 25
32	40	34	45	70	8	21	58x1/6"	DS 0564 32
40	40	42	51	78	8	22	65x1/6"	DS 0564 40
50	25	46	68,5	92	8	23	78x1/6"	DS 0564 50
80	25	51	93,6	127	13	29	110x1/4"	DS 0564 80



Conical unions with welding neck connections PN 40 bar									
DN	$\varnothing dm$	d	$d1$	h	D	b	B	Rd	Model #
25	28	25	30	21	63	10	21	52x1/6"	DS 0564 27
32	34	32	37		70			58x1/6"	DS 0564 34
40	42	40	45		78		22	65x1/6"	DS 0564 42
50	46	50	56	22	92	11	23	78x1/6"	DS 0564 52
80	51	81	87	24	127	12	29	110x1/4"	DS 0564 82